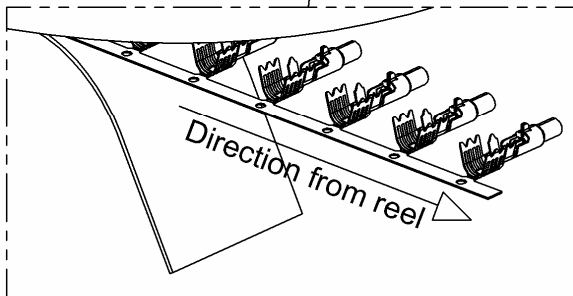
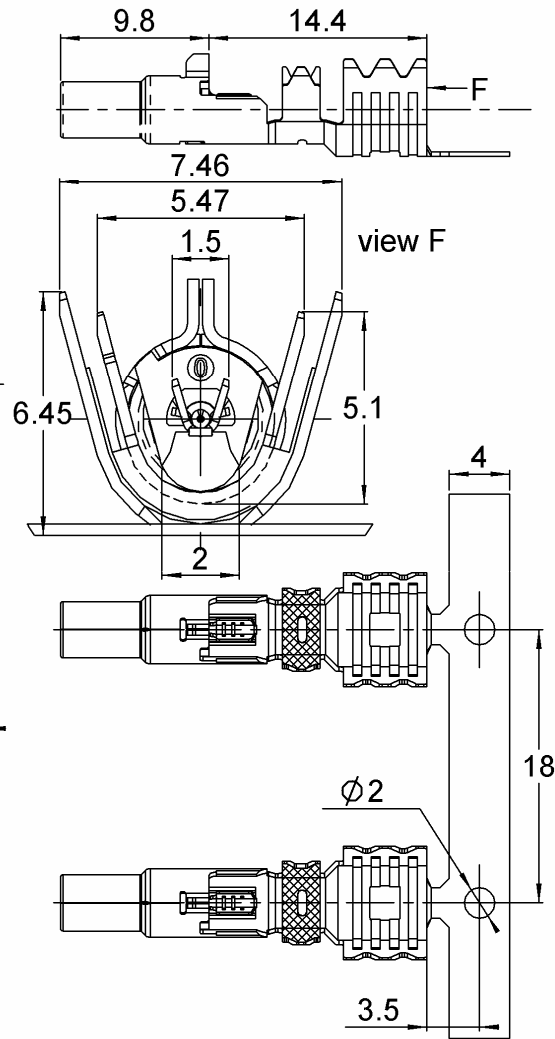
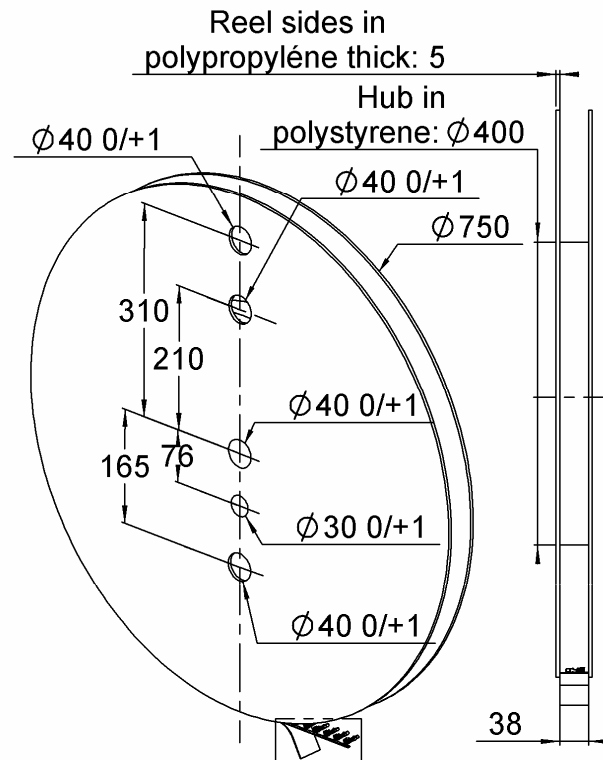


R3C MALE COAX CAB 5/75

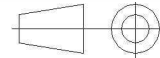
R299.197.060

CONDITIONNEMENT BOBINE 2300



All dimensions are in mm.

THIS COAX CAN BE USED WITH HOUSING R197.135_81 (replaced the _ by the coding letter)



COMPONENTS	MATERIALS	PLATING (µm)	
BODY	BRONZE	TIN 3 OVER NICKEL 2	
CENTER CONTACT	BRONZE	SELECTIVE GOLD+ SELECTIVE TIN	
OUTER CONTACT	-	-	
INSULATOR	POLYMER	UL CLASSIFICATION	COLOR
	-	UL94-V0	NATURAL
	-		

Standard Packaging : 2300+/-2%*

* Nota : possibility of having a maximum of five missing parts consecutively on the tape

Issue : 0748 A

In the effort to improve our products, we reserve the right to make changes judged to be necessary.

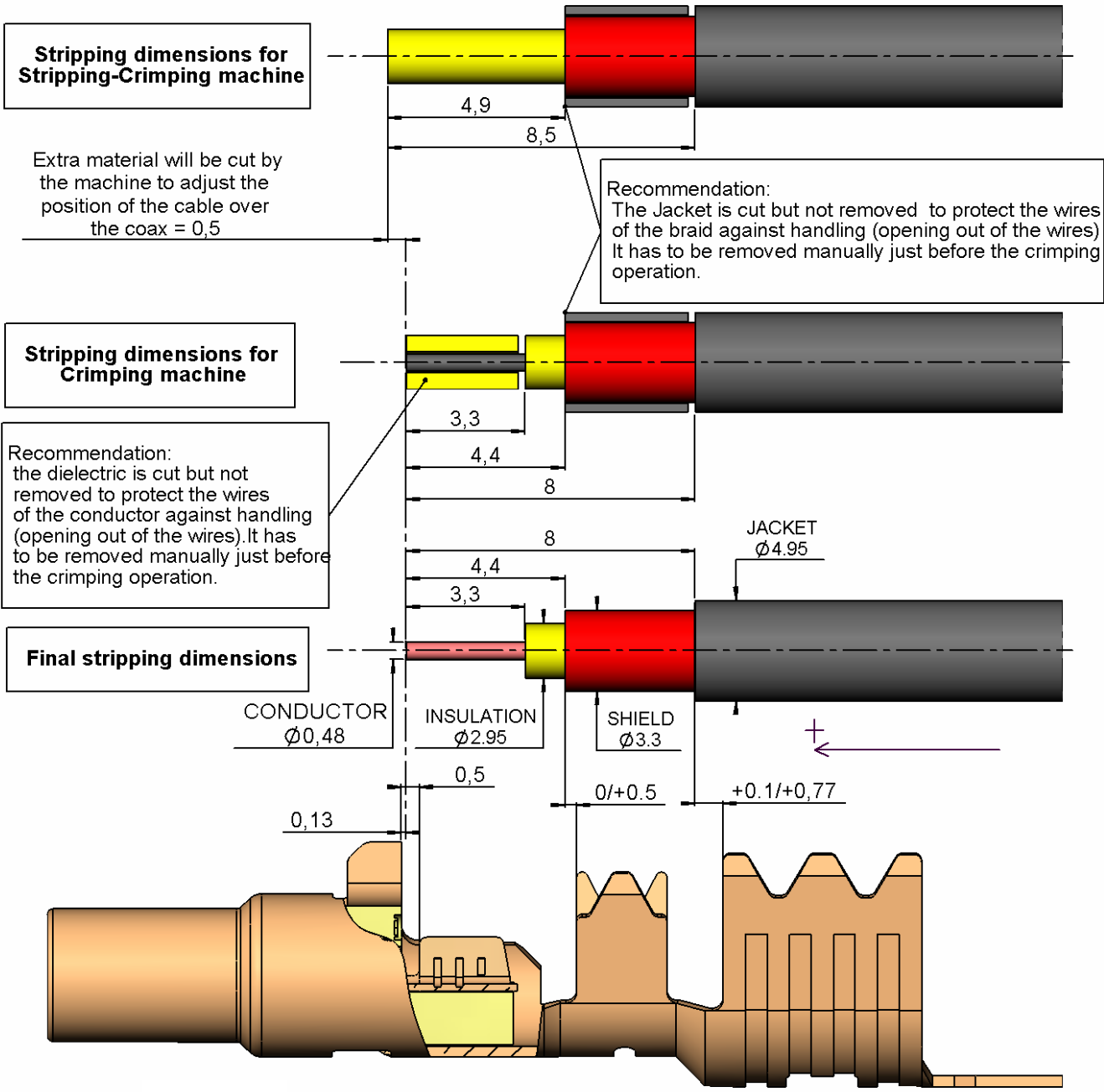


R3C MALE COAX CAB 5/75

R299.197.060

CONDITIONNEMENT BOBINE 2300

Recommended Stripping dimensions of the 5/75Ω cable for R3C male R299.197.060



PATENTED

Issue : 0748 A

In the effort to improve our products, we reserve the right to make changes judged to be necessary.

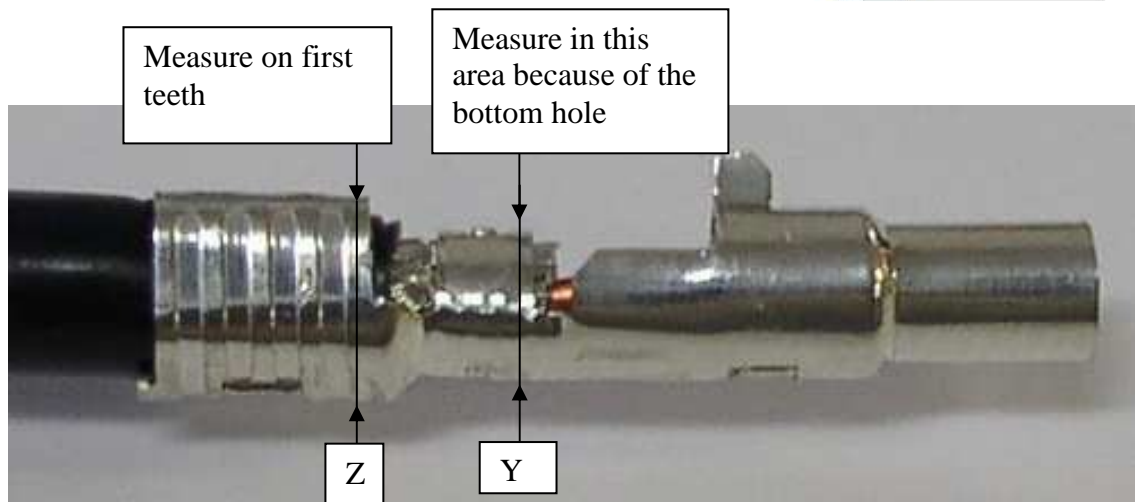
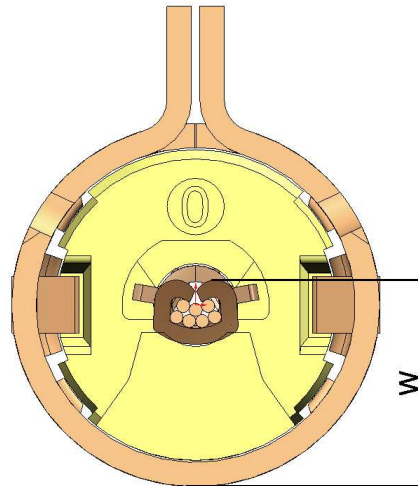
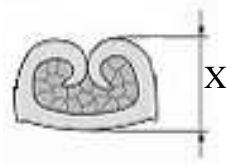


R3C MALE COAX CAB 5/75

CONDITIONNEMENT BOBINE 2300

R299.197.060

crimping height **			
conductor X	braid Y	jacket Z	conductor/body W
0,79±0,05	3,55±0,05	4,8+0,05/-0,1	2,4±0,05



**** CAUTION**

-Before using applicator, make sure the press is calibrated :135,8 mm from the lower dead point up to the base

-Crimping height may change depending on the manufacturer of the cable, for more informations please contact us

-We recommend to make electrical test after each set up of the applicator:

Outer and center contact continuity+Dielectric withstanding voltage 800Vrms, 50Hz

Insulation resistance 1000 Mohms

Cable retention = 110Newton mini during 5 seconds with electrical continuity

Issue : 0748 A

In the effort to improve our products, we reserve the right to make changes judged to be necessary.

